

Design, development & evaluation of Positive Energy Districts (PED)

Dr. Francesco Reda, Principal Scientist VTT
SPARCS coordinator





<https://www.sparcs.info/>

  @SPARCSeu



Stadt Leipzig



CÂMARA MUNICIPAL DA MAIA



KLADNO



ΔΗΜΟΣ ΚΗΦΙΣΙΑΣ



ESPOO



SIEMENS



PLUGIT

CITYCON



ADVEN



Fraunhofer



BABLE



WSL
Wohnen & Service Leipzig GmbH



Leipziger
Stadtwerke



seecon
Ingenieure



UNIVERSITÄT
LEIPZIG



Sociedade Portuguesa de Inovação



NEWENERGYWORLD
新能源世界
中国三峡



Reykjavík
Energy



CTU
CZECH TECHNICAL
UNIVERSITY
IN PRAGUE



We Deliver Intelligence



verd



БІВІАВТОДОР



GOPA.com

MEMBER OF GOPA CONSULTING GROUP



This project has received funding from the European Union's Horizon 2020 research and innovation programme under Grant Agreement No. 864242
Topic: LC-SC3-SCC-1-2018-2019-2020: Smart Cities and Communities

Content

- Design
 - What is a PED? And how many PEDs exists?
 - National and local conditions
- Development of PED
- Evaluation / KPIs

Design of a PED





What is a PED? And how many PEDs exists?

- Consist of **several buildings** that actively manage their energy consumption as well as the **energy flow** between them and the wider energy system
- **Annual positive energy balance**
- They make optimal use of advanced materials, local RES, storage, smart energy grids, & cutting edge energy management
- **Users interaction**/involvement and ICT

https://setis.ec.europa.eu/system/files/setplan_smartcities_implementationplan.pdf

<https://jpi-urbaneurope.eu/ped/>



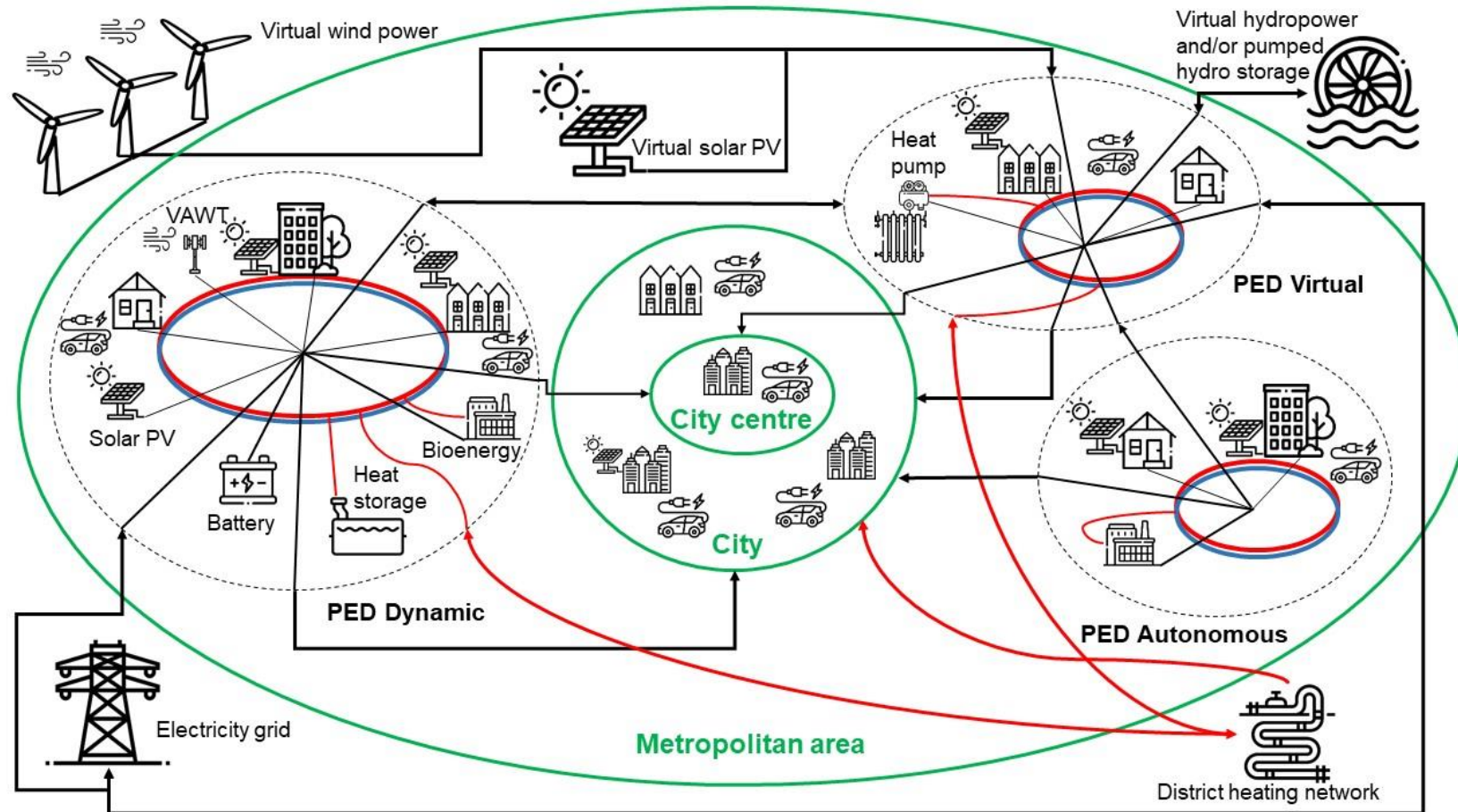
What is a PED? And how many PEDs exists?

- 3 most important **functions of PEDs in the context of their energy system:**
 - **Rely on renewable energy only**
 - **Energy efficiency**
 - **Energy flexibility**
- **Imperative is to optimize the different functions against one another** to best represent the available renewable energy resources in their respective climate zone
- Considering also **country/local government** specific ambitions and needs.

https://setis.ec.europa.eu/system/files/setplan_smartcities_implementationplan.pdf

<https://jpi-urbaneurope.eu/ped/>

What is a PED? And how many PEDs exists?





What is a PED? And how many PEDs exists?

- **PED autonomous**
 - Total self-sufficiency
 - More energy storage capacity to cover for demand peaks
 - Problematic for climate zones with high seasonal variation in intermittent energy generation
- **PED dynamic**
 - More flexibility regarding system control
 - Do not require as much energy storage capacity as PED autonomous
 - Dependent on external electricity generation
- **PED virtual**
 - Possible to look for “regional or national” RES alternatives
 - Advanced Energy distribution solutions needed

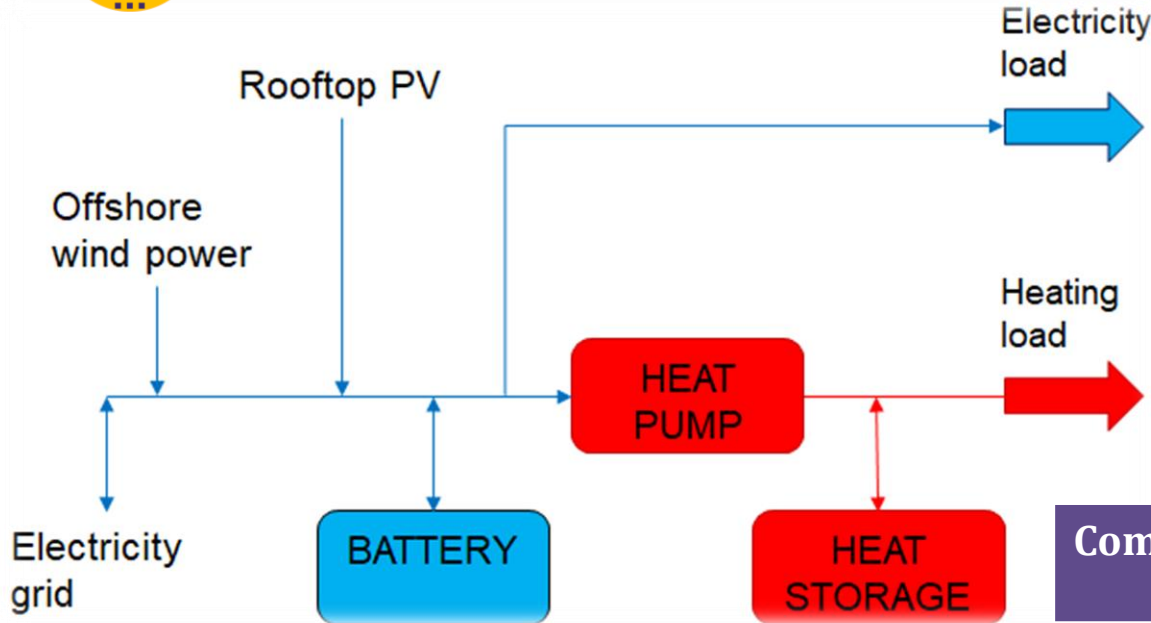
National and local conditions

Zones and areas in EU	Climatic condition	Population density (people/sq. km)	GDP per capita (\$)	Electricity price (€/kWh)	Electricity consumption per capita
Northern European	Cold winters and mild humid summers	Low density (less than 22 people /sq. Km) https://www.indexmundi.com/map/?t=0&v=21000&r=eu&l=en	Greater than \$45000/capita https://brilliantmaps.com/european-gdp-per-capita-1990-2016/	Average 0.16 €/kWh https://ec.europa.eu/eurostat/statistics-explained/index.php?title=Electricity_price_statistics	Average 4 MWh/capita https://ec.europa.eu/eurostat/statistics-explained/index.php?title=File:Households_consumption_of_electricity_per_capita_2017_(MWh_per_capita).png
Central and Eastern European	Cold winters and hot, dry summers	Medium density (less than 106 people /sq. Km)	Lower than \$20000/capita	Average 0.10 €/kWh	Average 0.8 MWh/capita
Western European	Mild winters and humid summer	Highly dense (around 250 people /sq. Km)	Between \$40000/capita-\$44000/capita	Average 0.3 €/kWh	2 MWh/capita
Southern European	Mediterranean condition	High density (around 206 people /sq. Km)	Between or lower than \$32000/capita	Average 0.24 €/kWh	1.2 MWh/capita

National and local conditions

Zones and areas in EU	Energy demand	Building efficiency level & policies	Renewable energy policies	Resources available
Northern European	High heating and low cooling demand <small>(https://ec.europa.eu/energy/sites/ener/files/documents/mapping-hc-final_report-wp3-wp4.pdf)</small>	Tight insulation level and passive building regulation (Walls U-values 0.17) <small>(https://www.iea.org/beep/finland/)</small>	Above 50% of share of energy generated from renewable sources in gross final energy consumption <small>(https://www.iea.org/policiesandmeasures/renewableenergy/)</small>	Hydro, Biomass, Wind <small>(https://www.nordicenergy.org/wp-content/uploads/2012/02/Ten-Opportunities-and-Challenges-for-Nordic-Energy-Short.pdf) (http://resourceirena.irena.org/gateway/countrySearch/?countryCode=SWE)</small>
Central and Eastern European	Moderate heating and cooling demand	Less strict regulation (Walls U-value= 0.4-0.9W/m2.K) <small>(https://www.iea.org/beep/poland/codes/technical-regulations-energy-savings-and-thermal-insulation-2002.html)</small>	Around 20-17% of RES share	Wind, Bioenergy, Solar
Western European	High heating and Moderate cooling demand	Strict regulations (Walls U-value = 0.36W/m2.K) <small>(https://www.iea.org/beep/france/codes/reglementation-thermique-rt-2012.html)</small>	Around 20-25% of RES share	Wind, Solar, Hydro <small>(https://globalwindatlas.info/)</small>
Southern European	Low heating and high cooling demand	Less strict regulation (Walls U-value= 0.5W/m2.K) <small>(https://www.iea.org/beep/portugal/)</small>	Around 20-17% of RES share	Solar, Wind, Hydro <small>(https://irena.masdar.ac.ae/GIS/?map=529)</small>

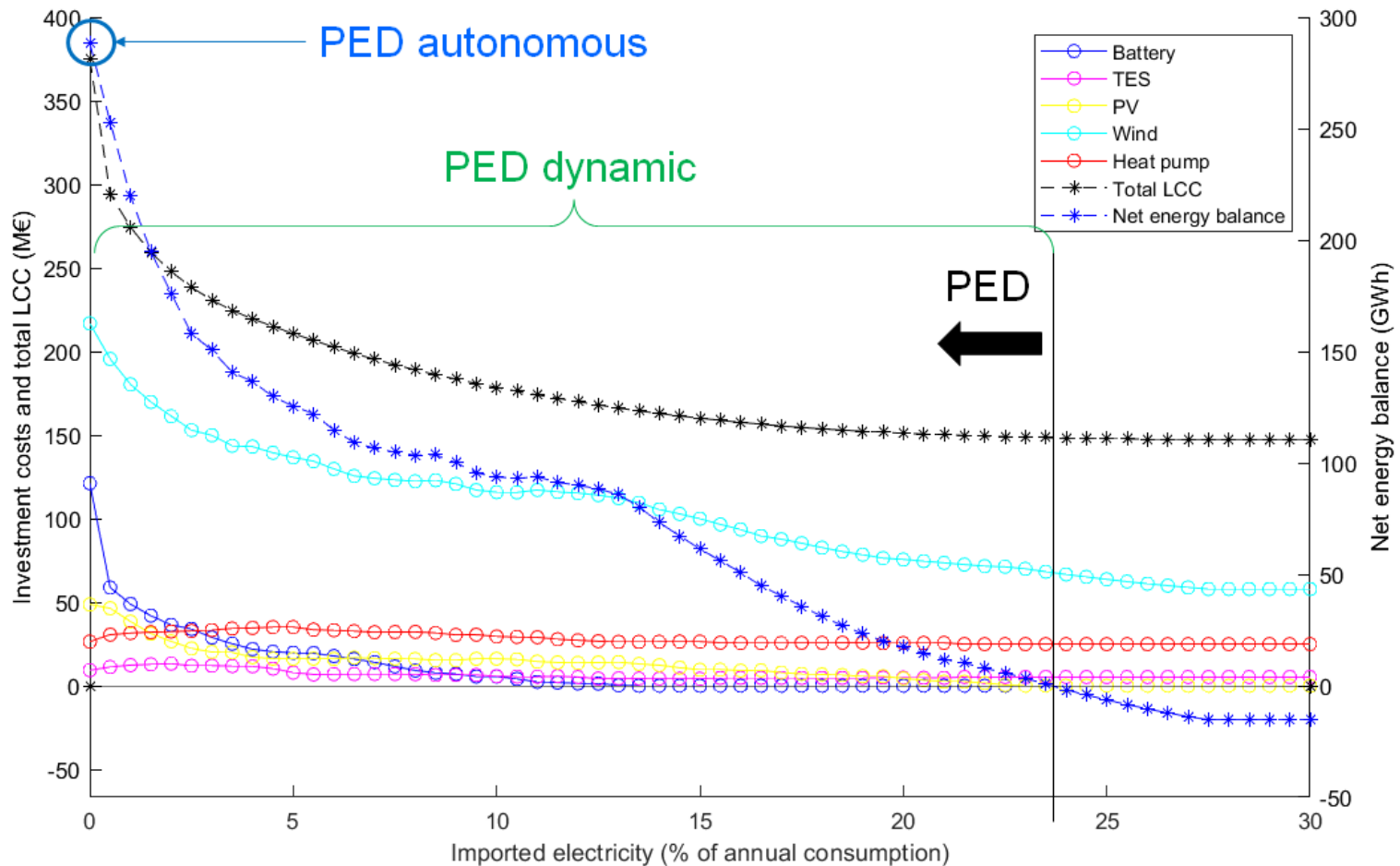
Case study, Kalasatama PED



- Life cycle cost analysis of autonomous and dynamic PEDs
- Investigating the effect of different electricity import rates

Component	Installation cost	O&M cost (% of installation cost)
Wind power	3000 €/kW	1.5%
Rooftop PV	800 €/kW	2%
Battery	600 €/kWh	1.5%
Heat storage	5 €/kWh	1.5%
Heat pump	1000 €/kW	1%

Case study, Kalasatama PED





Takeovers

- **The PED concept may vary depending on the location, local regulations, polices, economics, and resources available, that needs to be identified.**
- **Holistic approach is needed to define PED for different regions and also to compare and analyse different PEDs.**

Development...

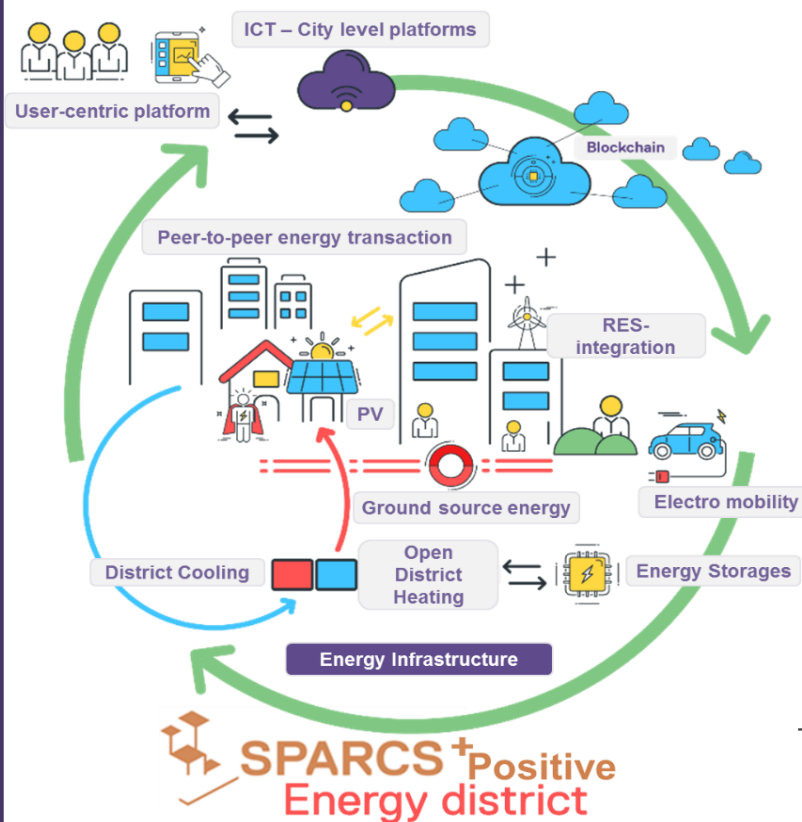


Development...

Services and technical solutions identified
Support the creation of local innovation ecosystem
hackathons and start-up competitions

Inclusive Governance and planning instruments for PED area
City Planning support

Co-creation of citizen- and investment- friendly urban sustainable & carbon free PED solutions
Integrated ICT, technical, financial, regulation & financial-friendly solutions ~ blended package





PED evaluation & KPIs

- **Annual positive energy balance**
 - On-site Energy Ratio comparing the annual balance between local renewable energy supply and energy demand at annual level
- **Mismatch indicators to indicate the short term balance**
 - E.g. Annual Mismatch Ratio, Maximum Hourly Deficit, Monthly Ratio of Peak values...
- Some **economic and social** KPIs under development
 - Holistic evaluation important
- Due to variety of PED definitions, **lack of harmonization** in KPIs
- **Workshop in October 2021 to define common PED KPIs** for the smart city lighthouse projects



Dr. Francesco Reda, Principal Scientist VTT



<https://www.sparcs.info/>



Annex 83



<https://annex83.iea-ebc.org/>



Stadt Leipzig



CÂMARA MUNICIPAL DA MAIA



KLADNO



ΔΗΜΟΣ ΚΗΦΙΣΙΑΣ



ESPOO



KONE

SIEMENS



PLUGIT

CITYCON



ADVEN



Fraunhofer



BABLE



WSL
Wohnen & Service Leipzig GmbH



Leipziger
Stadtwerke



CENERO



seecon
Ingenieure



UNIVERSITÄT
LEIPZIG



Sociedade Portuguesa de Inovação



NEW ENERGY WORLD
新世界
中国三峡



Reykjavík
Energy



CTU
CZECH TECHNICAL
UNIVERSITY
IN PRAGUE



Suite5
We Deliver Intelligence



verd



БІВІАВТОДОР



CiviESCO



GOPA.com.
MEMBER OF GOPA CONSULTING GROUP



Horizon 2020
European Union funding
for Research & Innovation

This project has received funding from the European Union's Horizon 2020 research and innovation programme under Grant Agreement No. 864242
Topic: LC-SC3-SCC-1-2018-2019-2020: Smart Cities and Communities